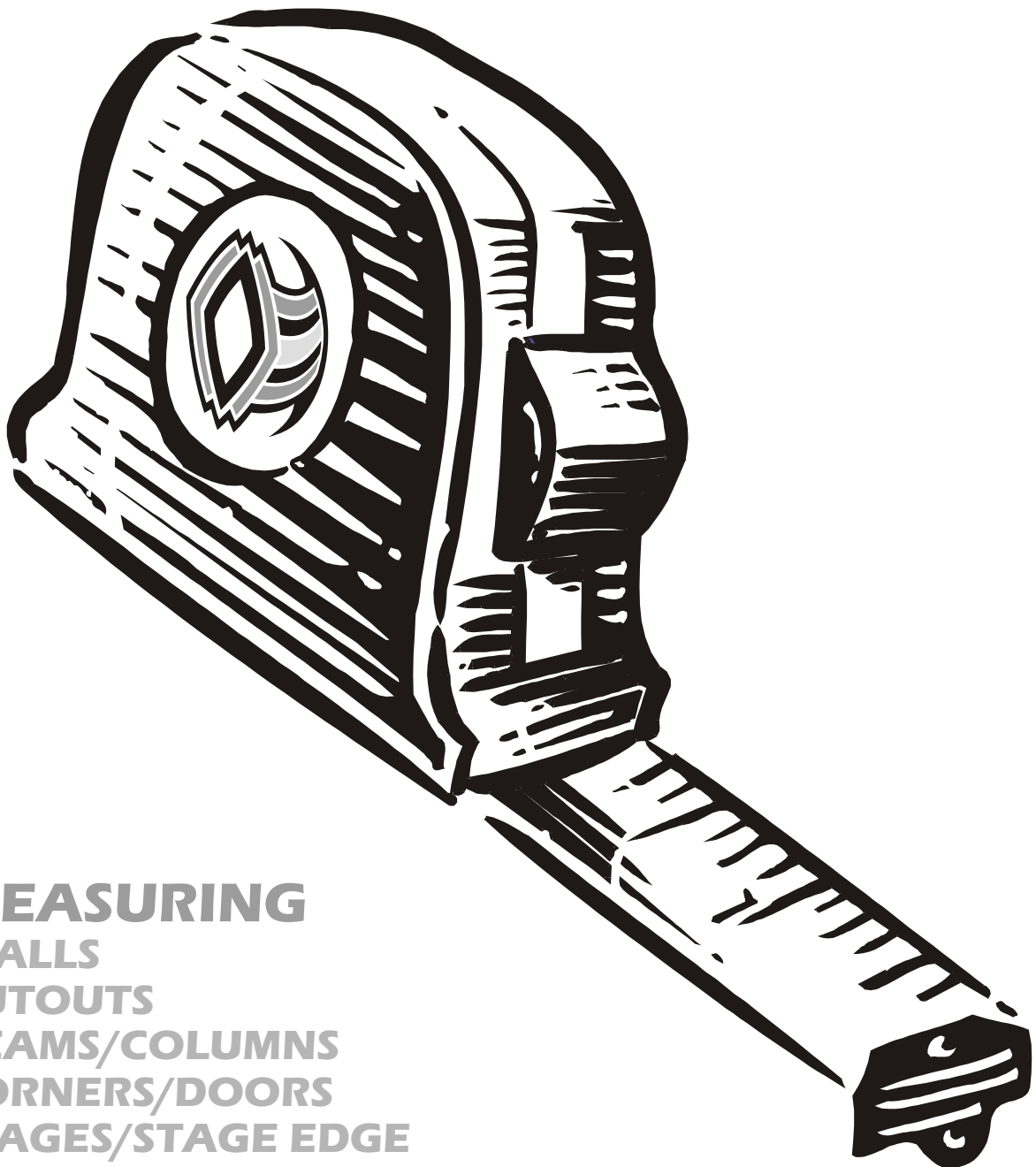


# MEASURING GUIDE



**MEASURING  
WALLS  
CUTOUTS  
BEAMS/COLUMNS  
CORNERS/DOORS  
STAGES/STAGE EDGE**

# MEASURING GUIDE

These pages contain directions to measure correctly.

## Two things to remember when measuring:

1

Measure everything exact.

**SportsGraphics** will make all allowances.

2

If anything special is encountered:

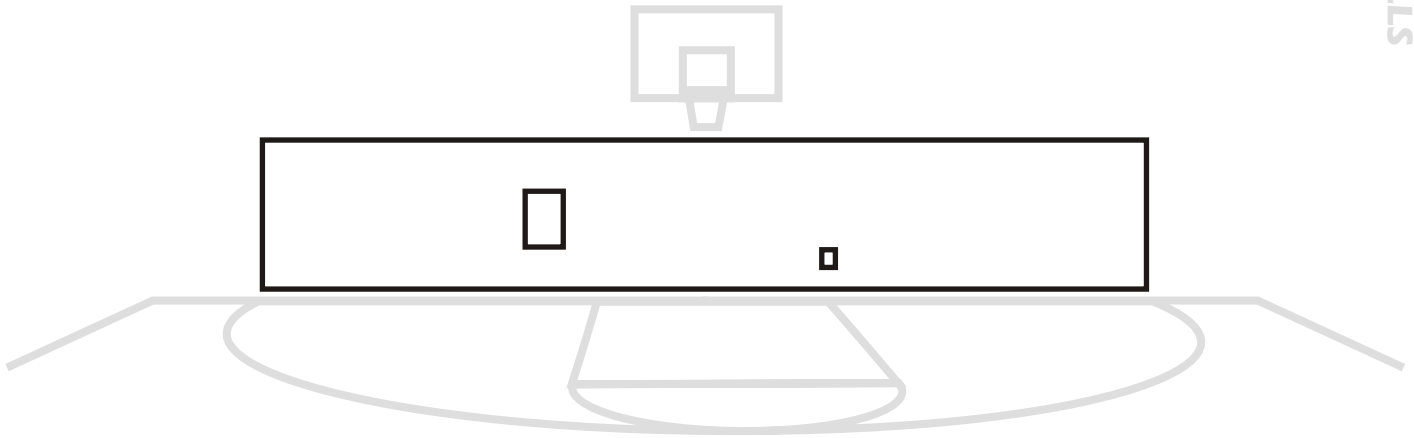
- Draw it out.
- Measure everything.
- Take a picture and email it to **SportsGraphics**.

**SportsGraphics** will do the best to accommodate the situation.

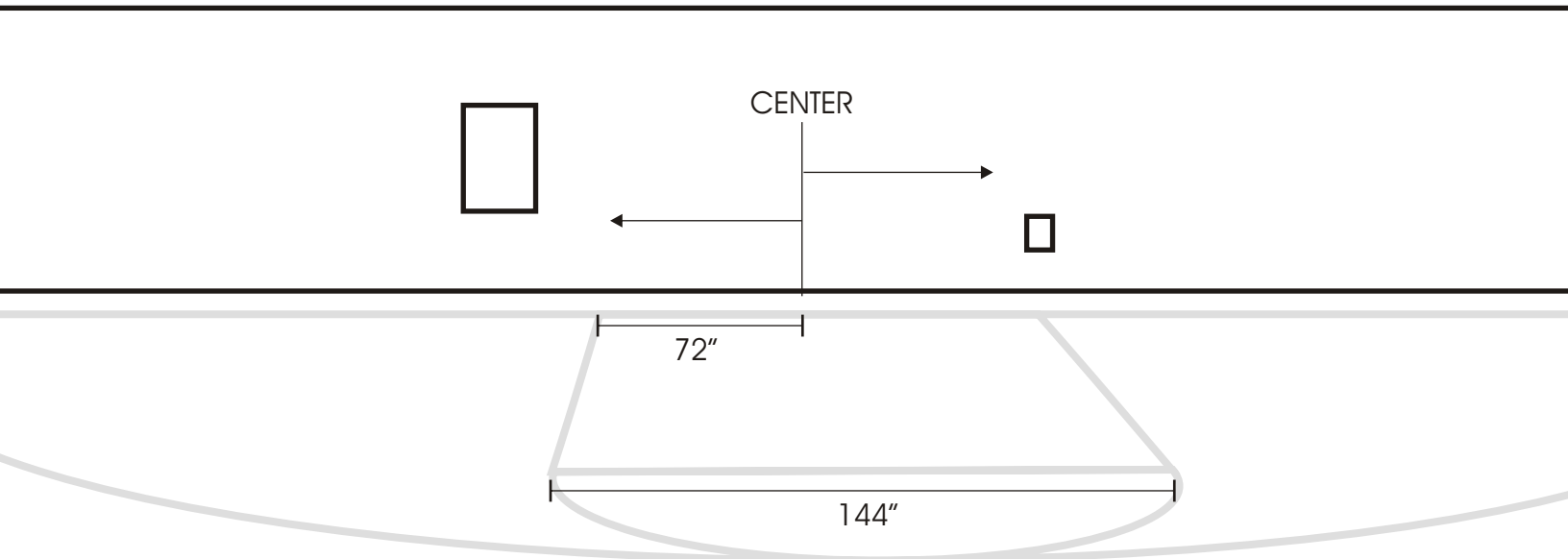


# MEASURING WALLS

- 1 Step back and make a rough sketch of the wall.  
Be sure to include anything that would require a cutout.  
(I.e. Electrical outlets, fire alarms, microphone jacks, vents, etc.)

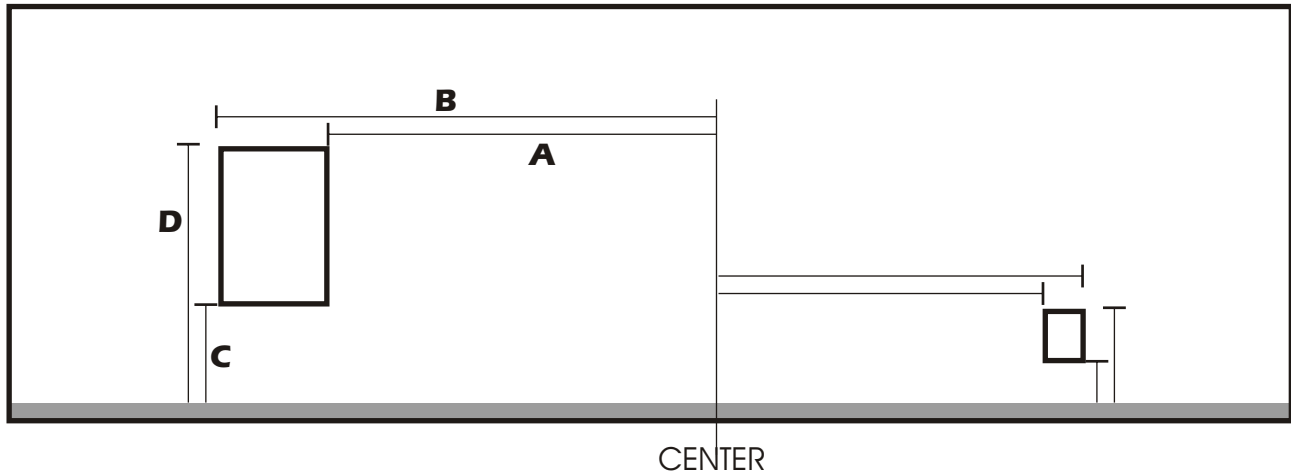


- 2 Start by finding the center of the lane.  
This can be done by measuring 72" from the edge of the lane to the middle.  
**Measure out from this point.**



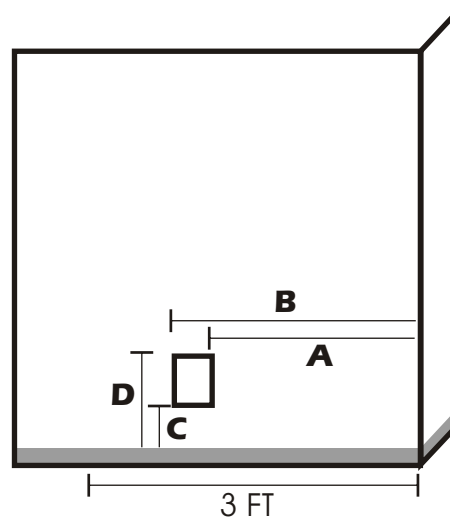
# MEASURING CUTOUTS

**REMEMBER: Exact measurements.**



**1** Put your tape on the center line and measure to the closest point **A**.  
Then measure out to the farthest point **B**.

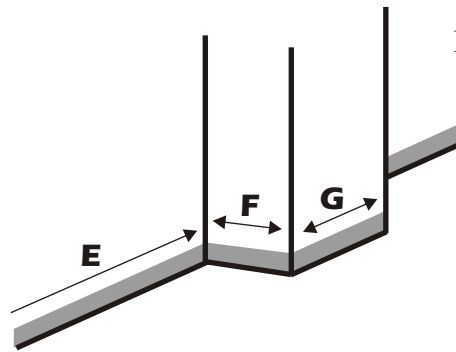
**2** Measure from the top of the mopboard (or wherever the bottom of the padding will start) to the closest point **C**. Then measure to the farthest point **D**.



**3** If your cutout is within 3 feet of a corner that will be padded.  
Take a **second** set of measurements from the corner.  
( we also need the center line measurements for this also)



## MEASURING BEAMS/COLUMNS



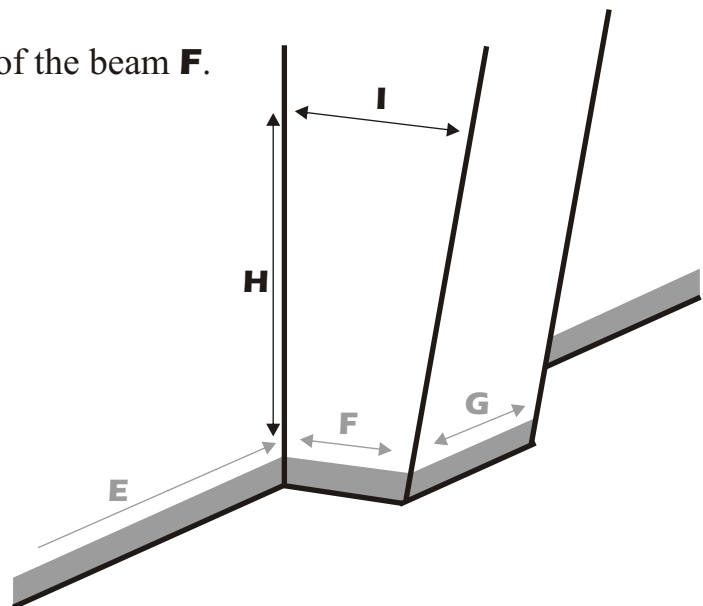
**REMEMBER: Exact measurements.**

1 Specify what beam/column is made of (concrete block or steel).

2 Measure from center line down the wall to point **E**.

3 Measure from the wall to the front of the beam **F**.  
On both sides.

4 Measure the width of the beam **G**.



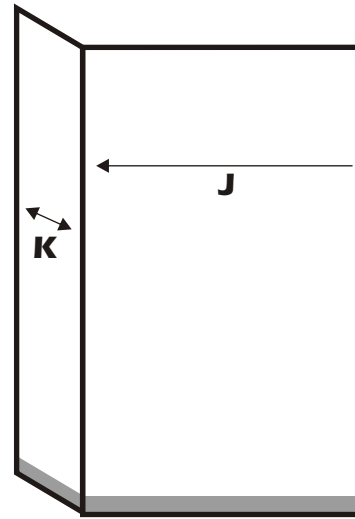
5 Measure from the top of the mopboard to the same height as the pads on the wall **H**.

6 Measure from that point to the front of the beam **I**.



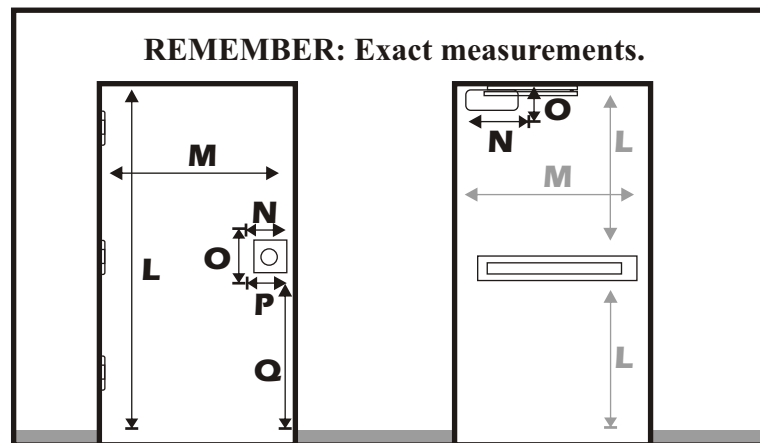
# MEASURING CORNERS/DOORS

REMEMBER: Exact measurements.



1 Measure from center line to the corner **J**.

2 Measure distance pad will extend back **K**.



1 Measure height starting at top of mopboard **L**.

2 Measure width from hinge to edge of door **M**.

3 Measure handles and other cutouts **NO PQ**.  
(Be sure to allow for the handle's swing)

NOTE: Which direction the doors swings.



## MEASURING STAGES/STAGE EDGE



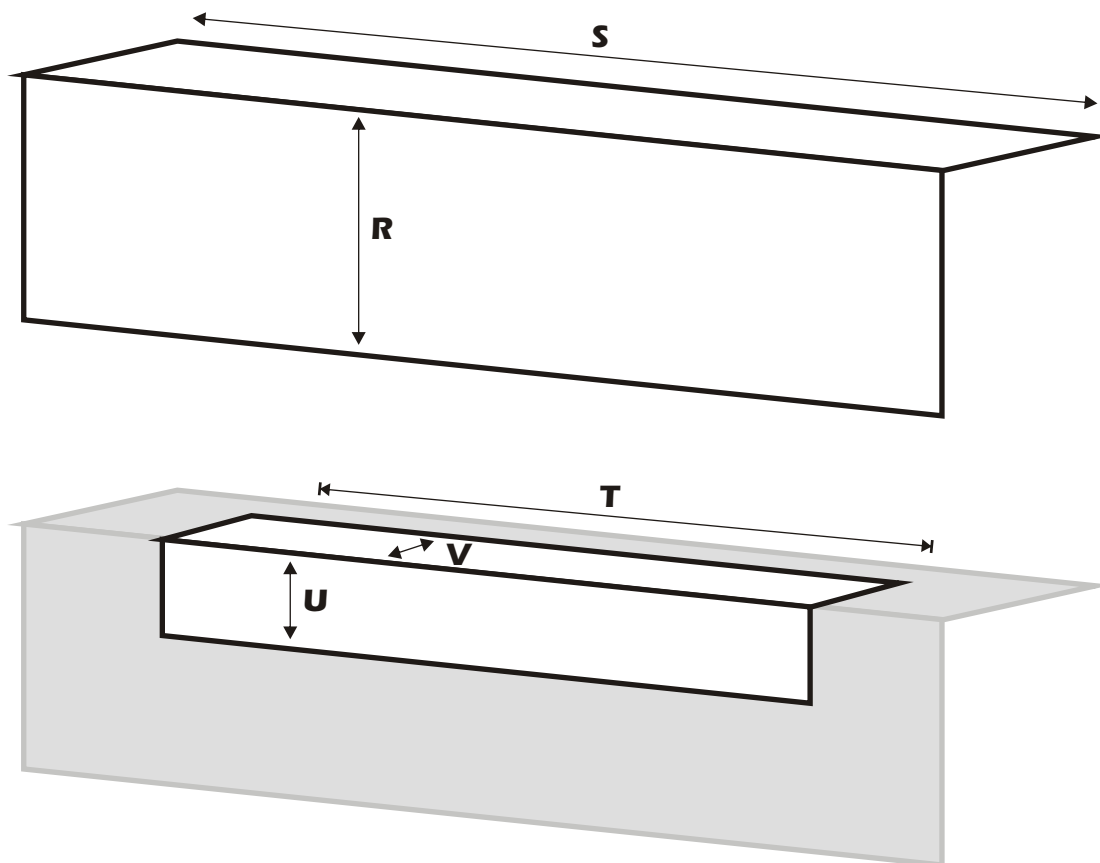
Stages can be padded in a variety of ways.

(**A** Stage Fronts, **B** Stage Edges, **C** Stage Fronts & Edges, **D** Stage Fronts & Panels)

### A Stage Fronts

1 Measure from the gym floor to the top of the stage **R**.

2 Measure length of stage to be covered **S**.



### B Stage Edges

1 Measure length to be covered **T**.

2 Specify the size of the fronts **U** and the depth **V**.

(Standard size for the stage edge is 9"x9")



## MEASURING STAGES/STAGE EDGE



Stages can be padded in a variety of ways.

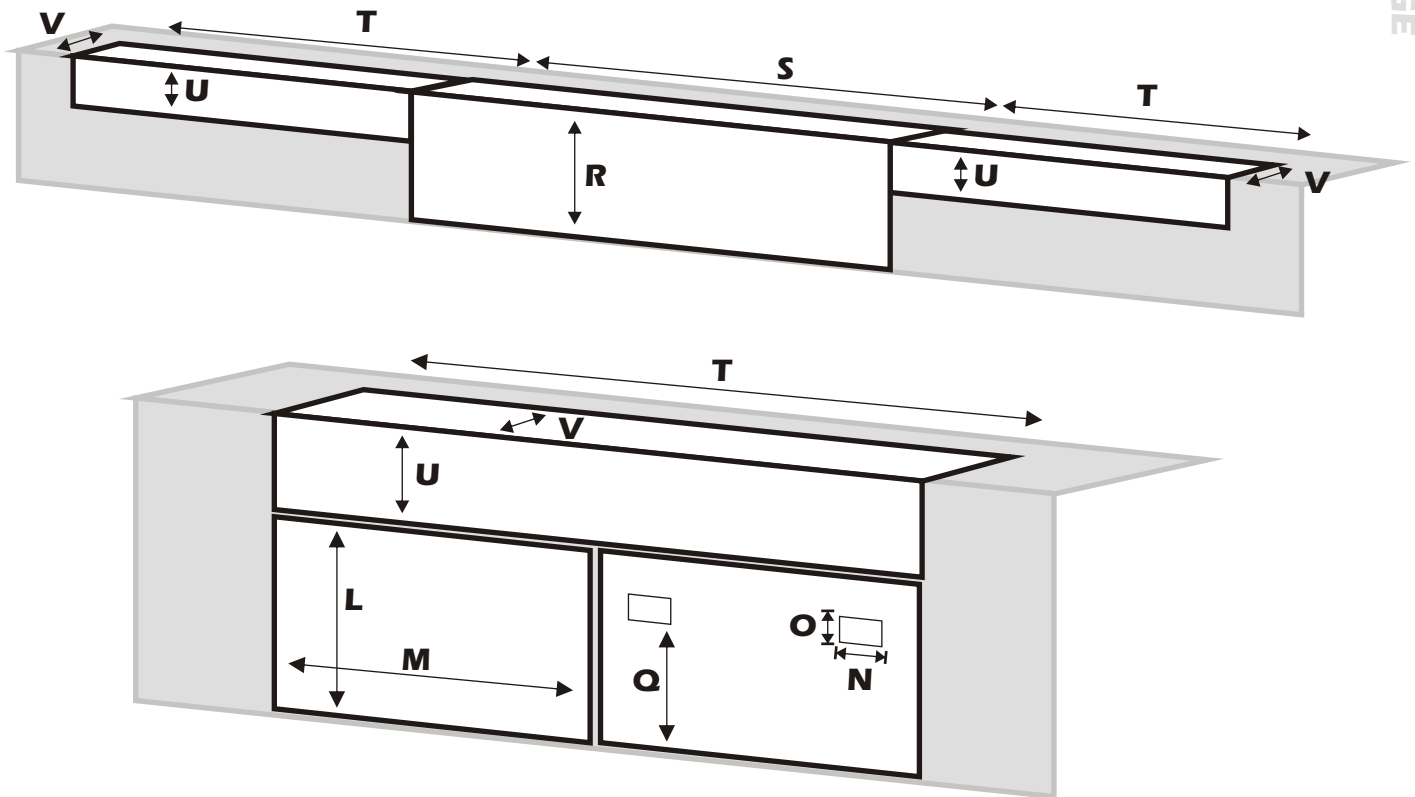
(**A** Stage Fronts, **B** Stage Edges, **C** Stage Fronts & Edges, **D** Stage Fronts & Panels)

### C Stage Fronts & Edges

1 Follow the steps **A1&2** and **B1&2**.

2 Specify length of Stage Fronts and Edge.

(Example: 12' Stage Front, 38' Stage Edge)



### D Stage Fronts & Panels

1 Follow steps **B1&2** for Stage Edge.

2 Panels and Panels with cutouts will be measured same as door pads.

